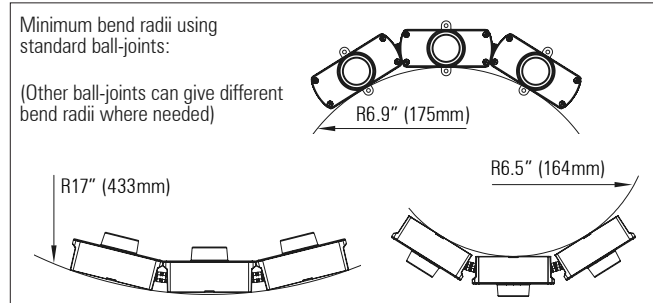
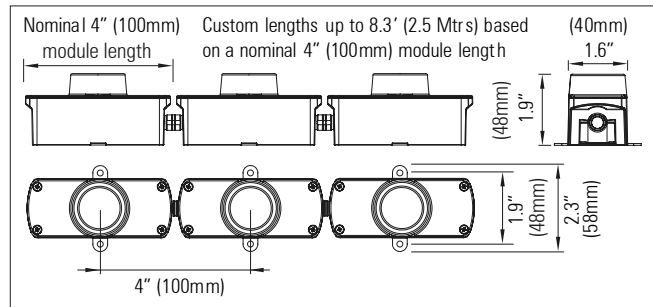


3D LED Flex 40 RGBW IP20 Class 2

1 x RGBW LED array with 32mm ø colour-blending lens per module

Modular, 3D flexible LED linear lighting system



1x RGBW LED array with 32mmø Gaggione colour-mixing lens per module

Modular, 3D flexible LED linear lighting system

Product description:

For use in interior lighting applications where the building surfaces are non linear with curved profiles

Each module - 1 x array of 4 x Luxeon Z or CZ LEDs, with a highly efficient colour-blending Gaggione lens - custom combinations of white and colour LEDs

Up to 5 Watts per 4" (100mm) module. Up to 48 V DC supply

Flexible in 3 dimensions - Articulated ball-joint system between modules

LED pitch is maintained between the modules

Side, back and end power feed and connector options allow for continuous lighting with no dark areas between fixtures. 16 Amp IP20 connectors join fixtures together on-site

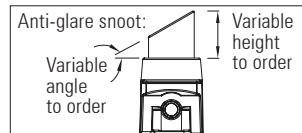
Integral LV constant current driver or remote Eldoled 4 Channel DMX driver

Remote DMX / DALI controller can be located up to 164' (50 mtrs) from the LED system

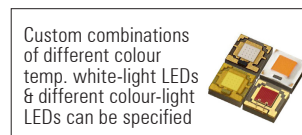
Satin black, satin white or any RAL paint colour finish

Custom lengths based on a 4" (100mm) module length up to 8.3' (2.5 mtrs)

Various mounting options and bracket types are available



LED / lens matrix	LUXEON Z CLUSTER x4 RGBW LEDs
LLC25C Colour	FWHM 1: 16.8°
LLC25E Elliptical	FWHM 1: 12.9° FWHM 2: 33.2°
LLC25G Narrow/Medium	FWHM 1: 16.3°
LLC25N Narrow	FWHM 1: 12.9°
LLC25W Wide	FWHM 1: 32.3°
LLC25V Very Wide	FWHM 1: 55.0°



RGBW: Up to 606 Lumens per ft
(Up to 2,000 Lumens per Mtr)

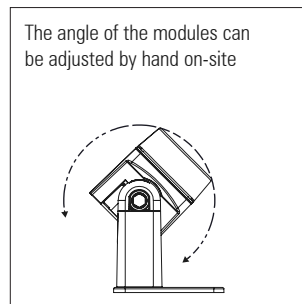
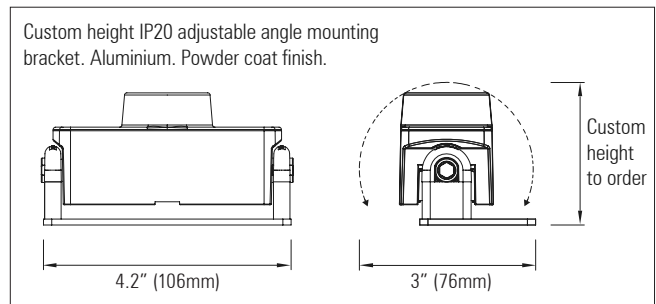
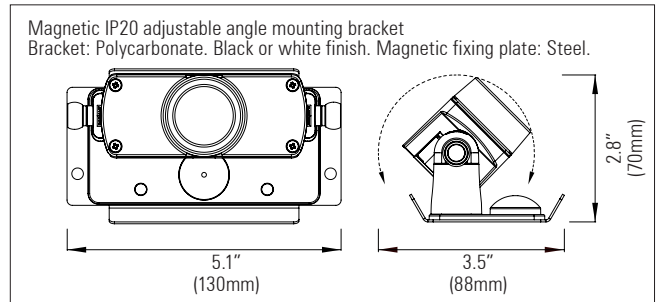
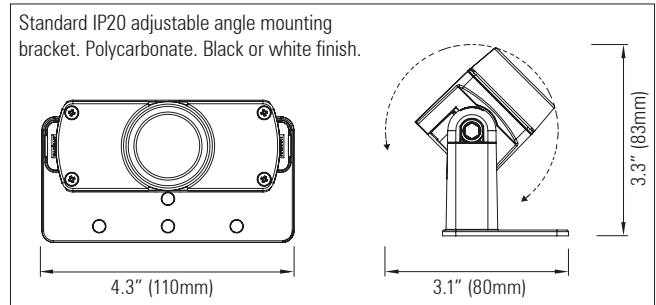
White: Up to 1,360 Lumens per ft
(Up to 4,500 Lumens per Mtr)

Product Code	No. of LEDs	IP	Length	LED Type	LED Colour / Colour Temp.(K)	CRI	Cover	Feed	Finish
RAD 3D LED FLEX 40 IP20 RGBW - 4 L 32MM	1 x array of 4 x RGBW LEDs per 4" (100mm) module: 4" (100mm) pitch between arrays	20	4" (100mm) -increments of 4" (100mm) up to- 8.3' (2.5 mtrs)	LUMILED Luxeon clusters: 4x RGBW CZ LEDs 4x RGBW Z LEDs	Specify all 4x LEDs in cluster:	80 90	Clear	End Back Side	Black White Any RAL- colour
					Far Red, Red, Deep Red, Red-Orange, Amber, PC Amber, Mint, Lime, Green, Cyan, Blue, Royal Blue, Violet				

3D LED Flex 40 RGBW IP20 Class 2

1 x RGBW LED array with 32mm ø colour-blending lens per module

Adjustable angle mounting bracketry



Adjustable angle mounting bracketry for 3D LED Flex 40 IP20 1 x RGBW LED array with 32mm diameter lens per module

The 3D LED Flex 40 system is flexible in 3 dimensions, which allows it to follow curved building contours. Once they have been fixed to the building surface, adjustable angle brackets allow the modules to be rotated around the major axis, so that the light output can be aimed precisely.

The angle of the modules can be adjusted by hand easily on-site. The friction ball-joint system keeps the modules correctly positioned. There is also a lockable option, which allows each module to be locked in place using an Allen key once it is correctly positioned.

A standard height version and a custom height version are available.

Custom options are also available.

The standard height bracket is made from polycarbonate and is available in black or white.

The custom-height bracket is made from aluminium with a powder coat finish which is available in satin black, satin white or any RAL paint colour finish.

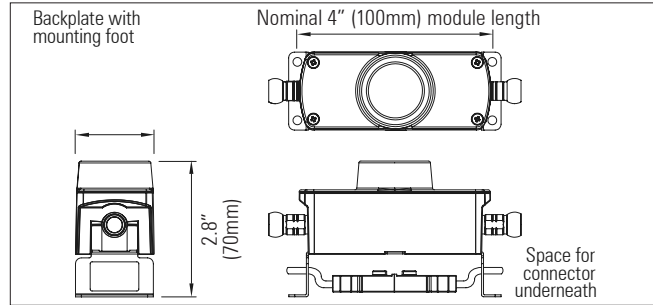
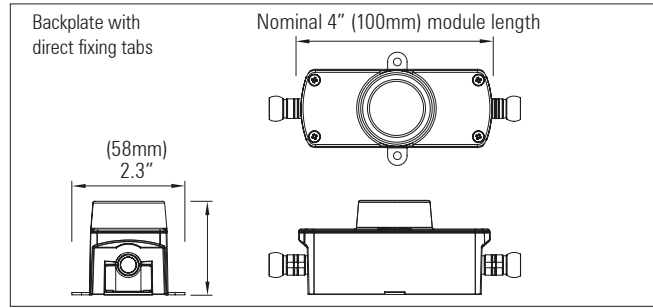
The magnetic adjustable angle bracket comprises of a polycarbonate bracket and a steel magnetic fixing plate. The polycarbonate bracket is available in black or white.

Product code	IP	Material	Finish	Height of legs
RAD 3D LED FLEX 40 IP20 ADJUSTABLE ANGLE BRACKET STANDARD PC	20	Polycarbonate	Black, white	
RAD 3D LED FLEX 40 IP20 MAGNETIC ADJUSTABLE ANGLE BRACKET		Bracket: Polycarbonate Magnetic fixing plate: Steel	Black, white	
RAD 3D LED FLEX 40 IP20 ADJUSTABLE ANGLE BRACKET CUSTOM HEIGHT AL		Aluminium	Any RAL colour	0.8" (20mm) -increments of 0.2" (5mm) up to - 12" (305mm)

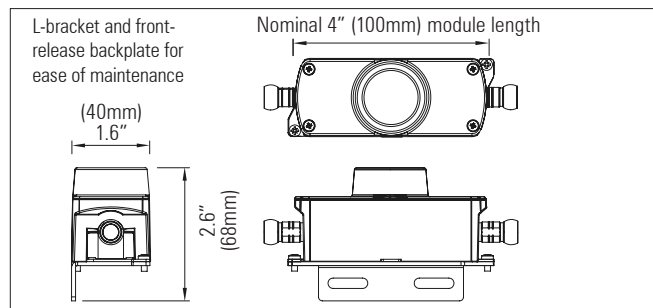
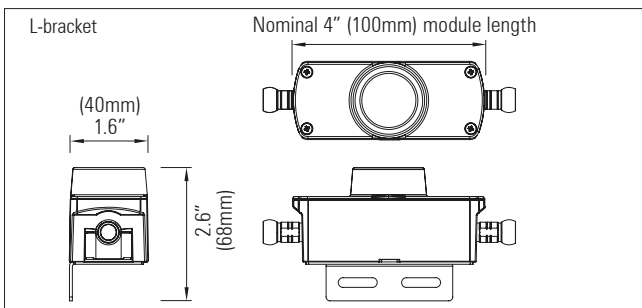
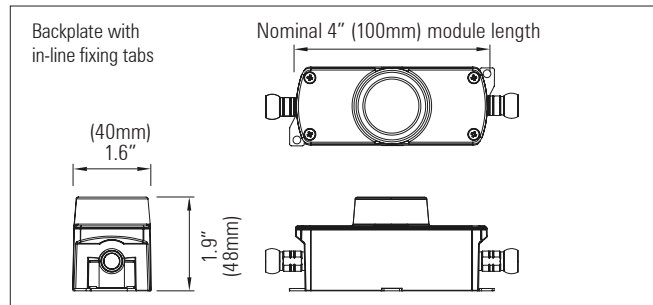
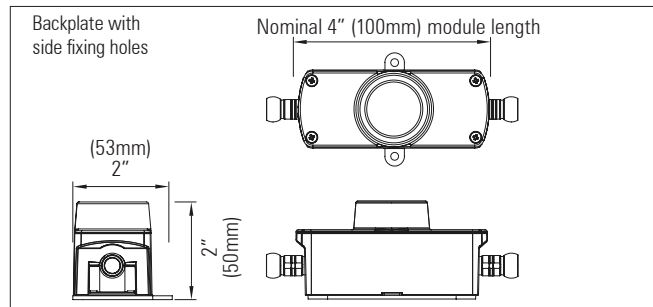
3D LED Flex 40 RGBW IP20 Class 2

1 x RGBW LED array with 32mm ø colour-mixing lens per module

Fixed angle mounting bracketry



Product code	IP	Finish
RAD 3D LED FLEX 40 IP20 FIXED ANGLE BRACKET DIRECT FIXING TABS	20	Black White Any RAL colour
RAD 3D LED FLEX 40 IP20 FIXED ANGLE BRACKET WITH MOUNTING FOOT		
RAD 3D LED FLEX 40 IP20 FIXED ANGLE BRACKET SIDE FIXING		
RAD 3D LED FLEX 40 IP20 FIXED ANGLE BRACKET IN-LINE FIXING		
RAD 3D LED FLEX 40 IP20 FIXED ANGLE L-BRACKET FRONT RELEASE		
RAD 3D LED FLEX 40 IP20 FIXED ANGLE L-BRACKET		



Product description:

Radiant's 3D LED Flex 40 system comprises a patented articulated ball-joint system which links the heatsink modules.

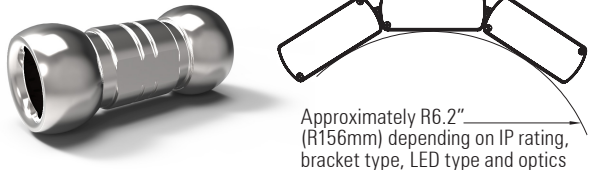
The ball-joints system allows the strips to bend and twist in 3 dimensions, so that they can follow any building contours, whilst maintaining a constant LED pitch.

There are various types of ball-joint to suit different applications, some of which can be seen on this data sheet. Please contact Radiant to discuss custom solutions.

Product Code	Material	Length
STANDARD BALL-JOINT BALL-JOINT STRAIGHT BRACKET BALL-JOINT BRACKET TIGHT BEND BALL-JOINT CURVED BRACKET BALL-JOINT TIGHT BENDS BALL-JOINT LONG	Nickel-plated brass	For longer ball-joint only: 3.9" (100mm) 7.9" (200mm) 11.8" (300mm) Custom lengths
BALL-JOINT IN LINE FIXING	Stainless steel	

Standard ball-joint

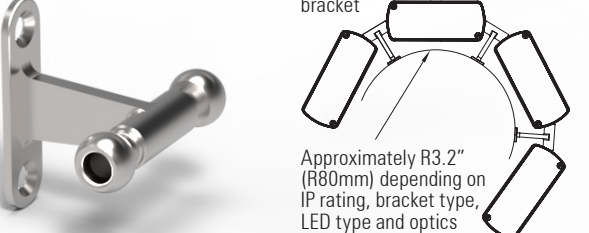
Minimum bend radius for 3D LED Flex 40 using standard ball-joints



Approximately R6.2" (R156mm) depending on IP rating, bracket type, LED type and optics

Ball-joint with straight bracket

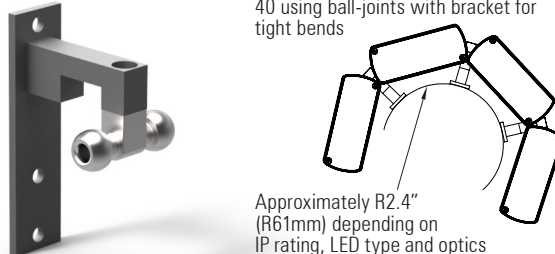
Minimum bend radius for 3D LED Flex 40 using ball-joints with straight bracket



Approximately R3.2" (R80mm) depending on IP rating, bracket type, LED type and optics

Ball-joint with bracket for tight bends

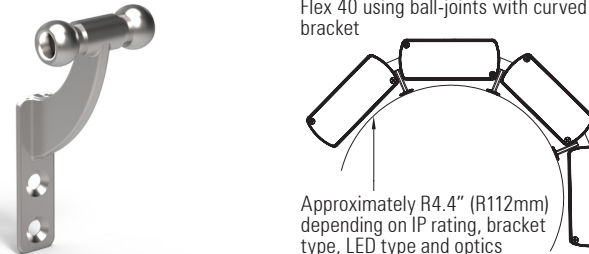
Minimum bend radius for 3D LED Flex 40 using ball-joints with bracket for tight bends



Approximately R2.4" (R61mm) depending on IP rating, LED type and optics

Ball-joint with curved bracket

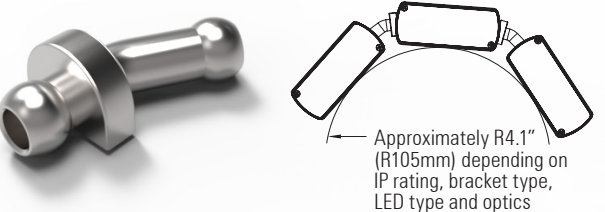
Minimum bend radius for 3D LED Flex 40 using ball-joints with curved bracket



Approximately R4.4" (R112mm) depending on IP rating, bracket type, LED type and optics

Ball-joint for tight bends

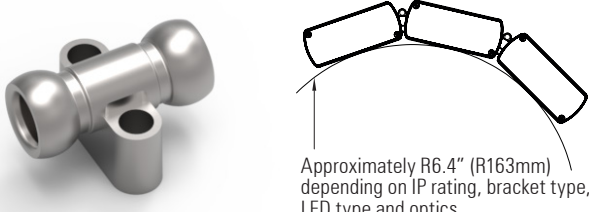
Minimum bend radius for 3D LED Flex 40 using ball-joints for tighter bends



Approximately R4.1" (R105mm) depending on IP rating, bracket type, LED type and optics

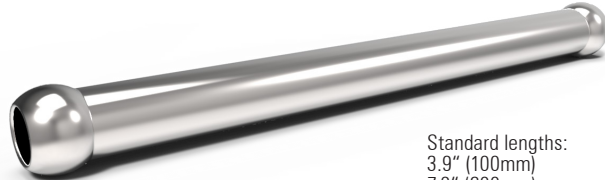
Ball-joint with in-line fixing bosses

Minimum bend radius for 3D LED Flex 40 using ball-joints with inline fixing bosses



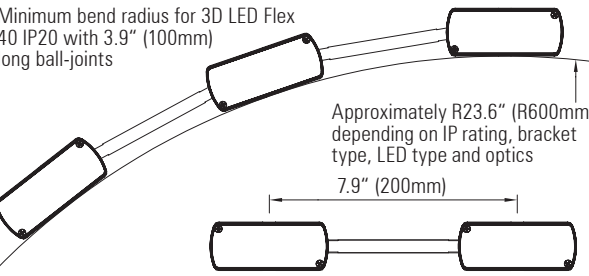
Approximately R6.4" (R163mm) depending on IP rating, bracket type, LED type and optics

Longer ball-joint



Standard lengths:
3.9" (100mm)
7.9" (200mm)
11.8" (300mm)
(Custom lengths to order)

Minimum bend radius for 3D LED Flex 40 IP20 with 3.9" (100mm) long ball-joints



Approximately R23.6" (R600mm) depending on IP rating, bracket type, LED type and optics

7.9" (200mm)